

Product Category

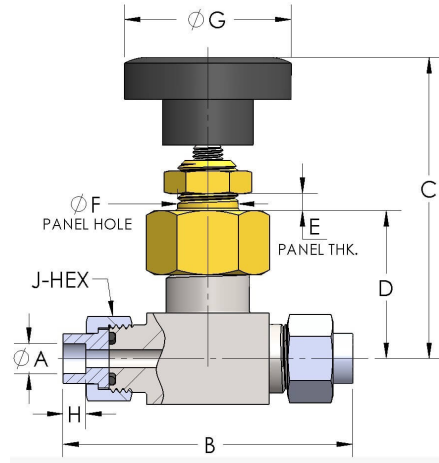
8-04SGU-03

Product Line

Mark VIII® Shutoff Valve (8-S Series)

Part Description

In-line Shutoff Valve with Mark VIII® Ends



## DIMENSIONS

|            |       |
|------------|-------|
| Orifice    | 0.156 |
| A          | 0.190 |
| B          | 2.38  |
| C (Open)   | 2.59  |
| C (Closed) | 2.44  |
| D          | 1.220 |
| E          | 0.25  |
| F          | 0.53  |
| G          | 1.38  |
| H          | 0.19  |
| J-HEX      | 0.63  |



## GENERAL

|                            |   |
|----------------------------|---|
| <b>Pressure Rating</b>     | 3000 PSI                                      |
| <b>Temperature Range</b>   | -15°F to 400°F (-26°C to 204°C)               |
| <b>Standard Soft Goods</b> | [-C] Viton® O-Rings                           |
| <b>Cartridge Type</b>      | Shutoff                                       |
| <b>Connection Type</b>     | Mark VIII® Union Thread                       |
| <b>Tube O.D.</b>           | 3/16"   |
| <b>Body Material</b>       | 316/L Stainless Steel, ASTM A276, UNS S31603  |
| <b>Bonnet Material</b>     | Nickel Aluminum Bronze, ASTM B150, UNS C63200 |

## OPTIONS

|                            |  |
|----------------------------|--|
| <b>Optional Soft Goods</b> | [-B] Buna-N O-Rings, [-D] EPDM O-Rings |
|----------------------------|--|