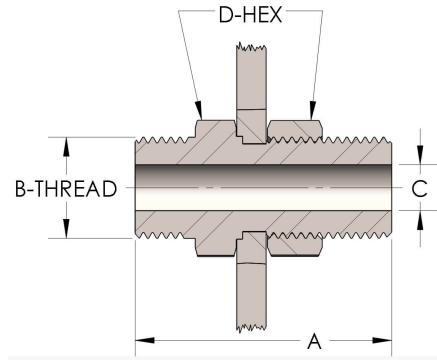


Product Category

89T-0-BR

Part Description

Bulkhead



DIMENSIONS

| | |
|----------|----------------|
| A | 2.190 |
| B-THREAD | 1.000" - 14UNS |
| C | 0.22 |
| D-HEX | 1.38 |

GENERAL

| | |
|----------------------|-----------------------------------|
| Pressure Rating | 6000 PSI |
| Threadpiece Material | Naval Brass, ASTM B21, UNS C46400 |