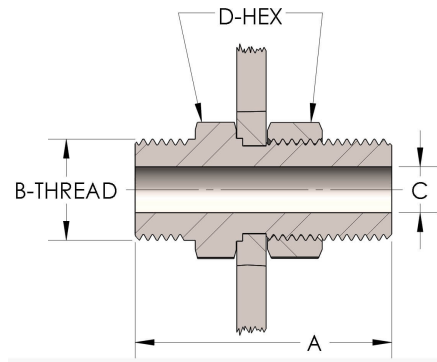


Product Category

89T-0-S

Part Description

Bulkhead



DIMENSIONS

A	2.190
B-THREAD	1.000" - 14UNS
C	0.22
D-HEX	1.38

GENERAL

Pressure Rating	6000 PSI
Threadpiece Material	Carbon Steel, ASTM A108