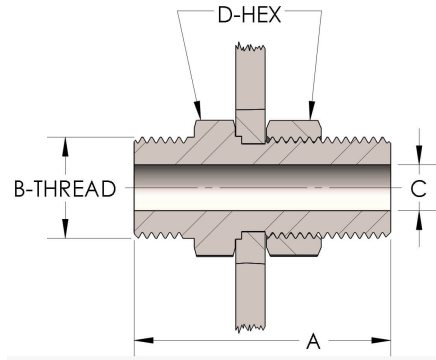


Product Category

89T-2-BR

Part Description

Bulkhead



DIMENSIONS

A	2.440
B-THREAD	1.375" - 12UNF
C	0.44
D-HEX	1.75

GENERAL

Pressure Rating	6000 PSI
Threadpiece Material	Naval Brass, ASTM B21, UNS C46400