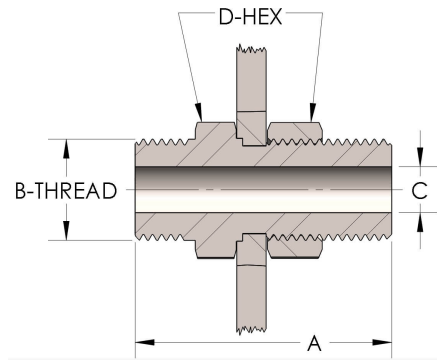


Product Category

89T-3-SS316L

Part Description

Bulkhead



DIMENSIONS

A	2.440
B-THREAD	1.750" - 12UN
C	0.50
D-HEX	2.13

GENERAL

Pressure Rating	6000 PSI
Threadpiece Material	316/L Stainless Steel, ASTM A276, UNS S31600/03