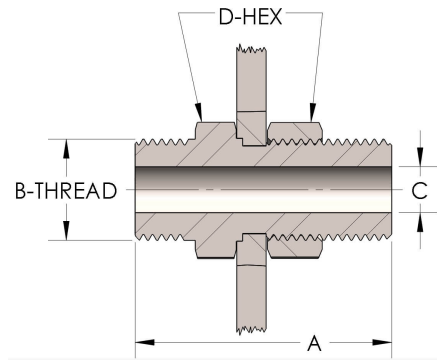


Product Category

89T-6-BR

Part Description

Bulkhead



DIMENSIONS

A	2.940
B-THREAD	2.750" - 12UN
C	1.19
D-HEX	3.25

GENERAL

Pressure Rating	6000 PSI
Threadpiece Material	Naval Brass, ASTM B21, UNS C46400