

Product Category

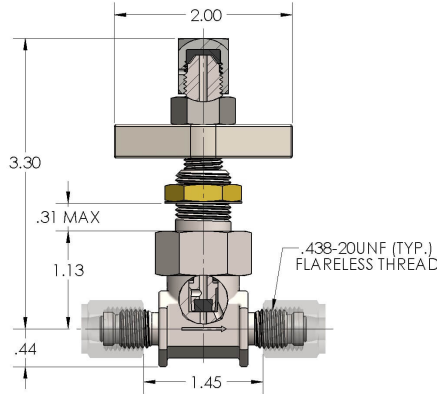
980-A-1-SS

Product Line

Instrument Valves (900 Series)

Part Description

Globe Instrument Valve with Flareless Compression Ends



DIMENSIONS

GENERAL

| | |
|---------------------|----------------------------------------------|
| Pressure Rating | 6000 PSI |
| Temperature Range | -30°F to 250°F (-34°C to 121°C) |
| Standard Soft Goods | Buna-N O-Rings |
| Cartridge Type | Shutoff |
| Connection Type | Compression Style |
| Connection Size | 1/4 Tube O.D. |
| Body Material | 316/L Stainless Steel, ASTM A182, UNS S31603 |
| Bonnet Material | 416 Stainless Steel, ASTM A582, UNS S41600 |
| Approved per | NSSC 803-6397304F |

OPTIONS

| | |
|---------------------|------------------------------|
| Optional Soft Goods | Viton® O-Rings, EPDM O-Rings |
|---------------------|------------------------------|