

Product Category

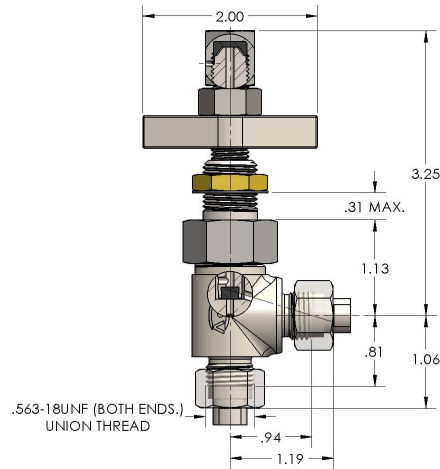
981-UNION-2-M

Product Line

Instrument Valves (900 Series)

Part Description

Angle Instrument Valve with O-ring Face Seal Union Ends



DIMENSIONS

GENERAL

Pressure Rating	6000 PSI
Temperature Range	-15°F to 250°F (-26°C to 121°C)
Standard Soft Goods	Viton® O-Rings
Cartridge Type	Shutoff
Connection Type	O-ring Face Seal Union Thread
Connection Size	1/4 Tube O.D.
Body Material	Monel®, ASTM B564, UNS N04400
Bonnet Material	416 Stainless Steel, ASTM A582, UNS S41600
Approved per	MIL-DTL-24578C

OPTIONS

Optional Soft Goods	Buna-N O-Rings, EPDM O-Rings
---------------------	------------------------------