

Product Category

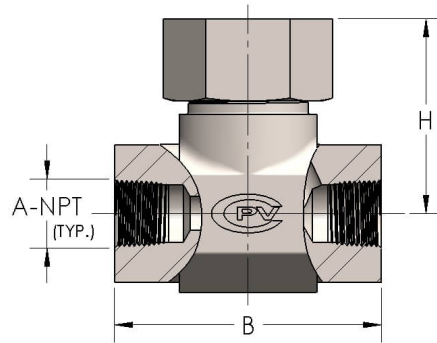
G0CGPF-02

Product Line

G-Series® Check Valves (G-C Series)

Part Description

Globe Check Valve with Female Pipe Thread (NPT) Ends



## DIMENSIONS

|         |         |
|---------|---------|
| Orifice | 0.218   |
| A-NPT : | 1/8"-27 |
| B       | 2.00    |
| H       | 1.19    |

## GENERAL

|                     |   |
|---------------------|---|
| Pressure Rating     | 6000 PSI                                      |
| Temperature Range   | -15°F to 400°F (-26°C to 204°C)               |
| Standard Soft Goods | [-G] Polyurethane® Packing and Viton® O-Rings |
| Cartridge Type      | Check   |
| Connection Type     | Female Pipe Thread (NPT)                      |
| Connection Size     | 1/8"  |
| Body Material       | 316/L Stainless Steel, ASTM A182, UNS S31603  |
| Bonnet Material     | 316/L Stainless Steel, ASTM A276, UNS S31603  |



## OPTIONS

|                             |   |
|-----------------------------|---|
| <b>[-VC] Vacuum Service</b> | Option to add additional softgoods for internal vacuum service.   |
| <b>Optional Soft Goods</b>  | [-B] Polyurethane® Packing and Buna-N O-Rings, [-C] Viton® Packing & O-Rings, [-D] EPDM Packing & O-Rings |