

Product Category

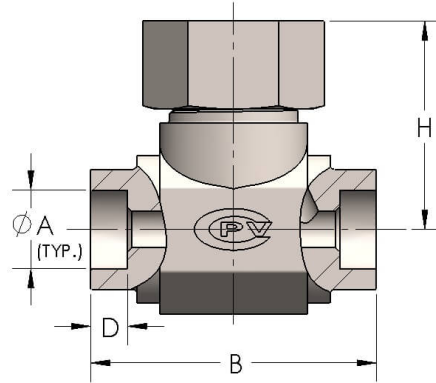
G4CGPS-12

Product Line

G-Series® Check Valves (G-C Series)

Part Description

Globe Check Valve with Socketweld Pipe Ends



DIMENSIONS

| | |
|---------|-------|
| Orifice | 0.625 |
| A (NPS) | 1.050 |
| B | 3.88 |
| D | 0.500 |
| H | 3.06 |

GENERAL

| | |
|---------------------|---|
| Pressure Rating | 6000 PSI |
| Temperature Range | -15°F to 400°F (-26°C to 204°C) |
| Standard Soft Goods | [-G] Polyurethane® Packing and Viton® O-Rings |
| Cartridge Type | Check |
| Connection Type | Socketweld Pipe |
| Connection Size | 3/4" |
| Body Material | 316/L Stainless Steel, ASTM A182, UNS S31603 |
| Bonnet Material | 316/L Stainless Steel, ASTM A276, UNS S31603 |



OPTIONS

[-VC] Vacuum Service

Option to add additional softgoods for internal vacuum service.

Optional Soft Goods

[-B] Polyurethane® Packing and Buna-N O-Rings, [-C] Viton® Packing & O-Rings, [-D] EPDM Packing & O-Rings