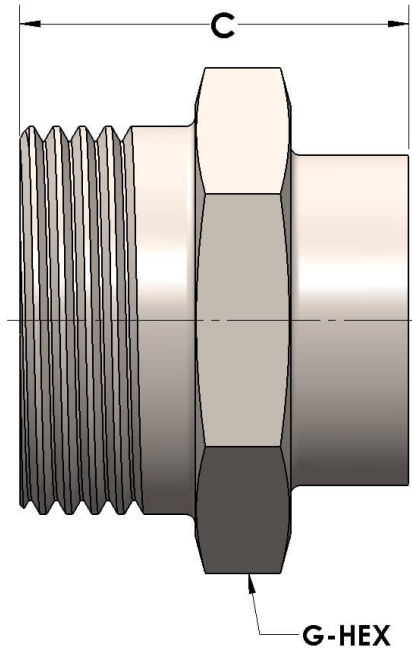


Product Category

H804T-06-S

Part Description

Blank Threadpiece



DIMENSIONS

C	0.81
G-HEX	0.75

GENERAL

Pressure Rating	6000 PSI
Threadpiece Material	Carbon Steel, ASTM A108
O-Ring Material	Viton® Fluorocarbon Type 1, Class 2 (90 durometer)