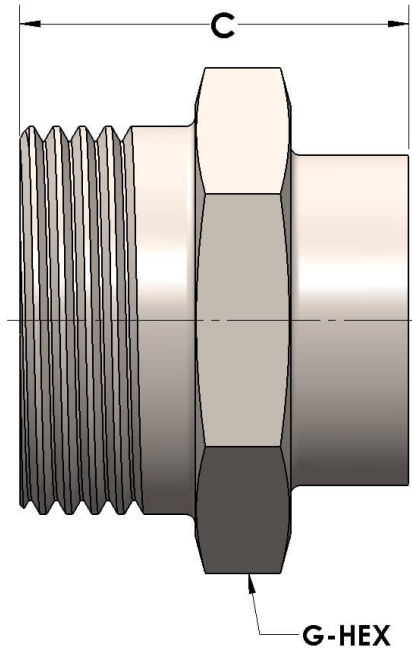


Product Category

H804T-06-SS316L

Part Description

Blank Threadpiece



DIMENSIONS

| | |
|--------------|------|
| C | 0.81 |
| G-HEX | 0.75 |

GENERAL

| | |
|-----------------------------|--|
| Pressure Rating | 6000 PSI |
| Threadpiece Material | 316/L Stainless Steel, ASTM A276, UNS S31600/03 |
| O-Ring Material | Viton® Fluorocarbon Type 1, Class 2 (90 durometer) |