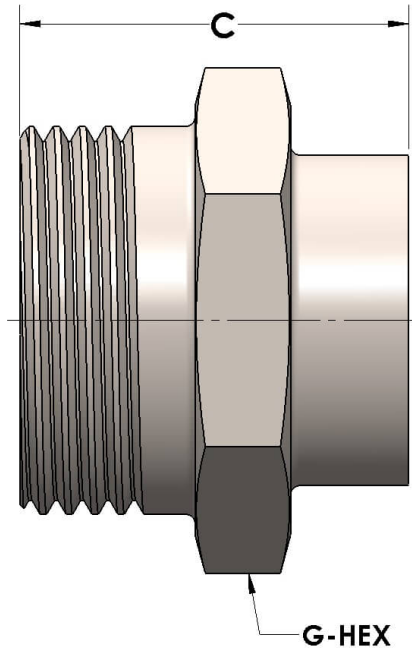


Product Category  
Part Description

H804T-12-S  
Blank Threadpiece



## DIMENSIONS

C	1.25
G-HEX	1.38

## GENERAL

Pressure Rating	6000 PSI
Threadpiece Material	Carbon Steel, ASTM A108
O-Ring Material	Viton® Fluorocarbon Type 1, Class 2 (90 durometer)