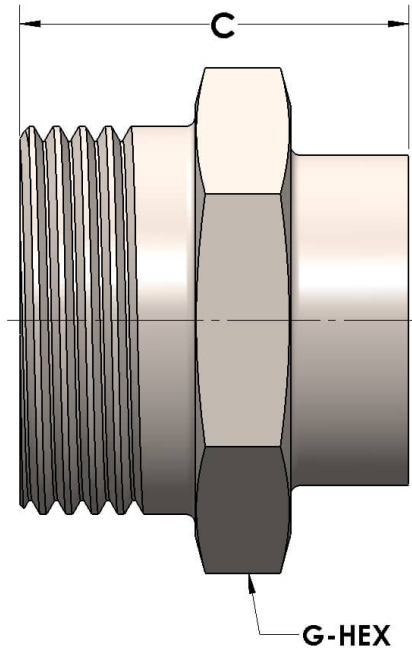


Product Category
Part Description

H804T-24-SS316L
Blank Threadpiece



DIMENSIONS

C	1.56
G-HEX	2.25

GENERAL

Pressure Rating	6000 PSI
Threadpiece Material	316/L Stainless Steel, ASTM A276, UNS S31600/03
O-Ring Material	Viton® Fluorocarbon Type 1, Class 2 (90 durometer)