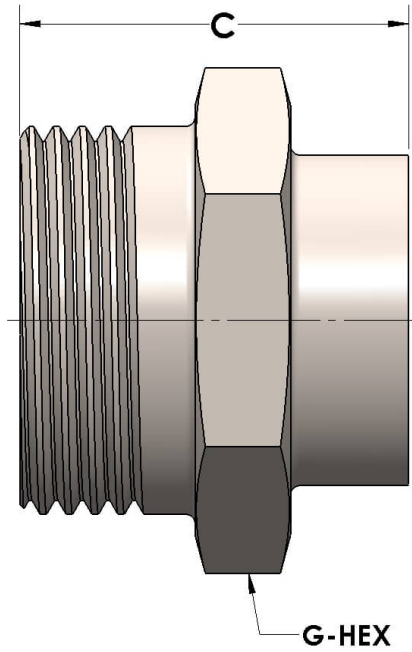


Product Category
Part Description

H804T-32-S
Blank Threadpiece



DIMENSIONS

C	1.94
G-HEX	3

GENERAL

Pressure Rating	6000 PSI
Threadpiece Material	Carbon Steel, ASTM A108
O-Ring Material	Viton® Fluorocarbon Type 1, Class 2 (90 durometer)