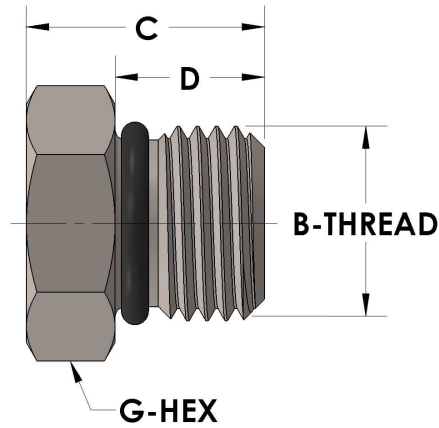


Product Category

H805-04-SS316L

Part Description

Straight Thread Plug



## DIMENSIONS

<b>B-THREAD</b>	.438" - 20UNF
<b>C</b>	0.63
<b>D</b>	0.410
<b>G-HEX</b>	0.56

## GENERAL

<b>Pressure Rating</b>	6000 PSI
<b>Threadpiece Material</b>	316/L Stainless Steel, ASTM A276, UNS S31600/03
<b>O-Ring Material</b>	Viton® Fluorocarbon Type 1, Class 2 (90 durometer)