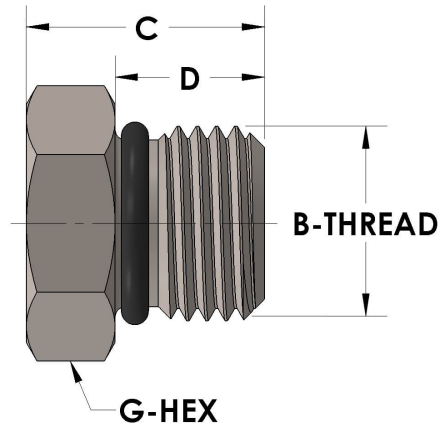


Product Category

H805-08-SS316L

Part Description

Straight Thread Plug



DIMENSIONS

B-THREAD	.750" - 16UNF
C	0.75
D	0.470
G-HEX	0.88

GENERAL

Pressure Rating	6000 PSI
Threadpiece Material	316/L Stainless Steel, ASTM A276, UNS S31600/03
O-Ring Material	Viton® Fluorocarbon Type 1, Class 2 (90 durometer)