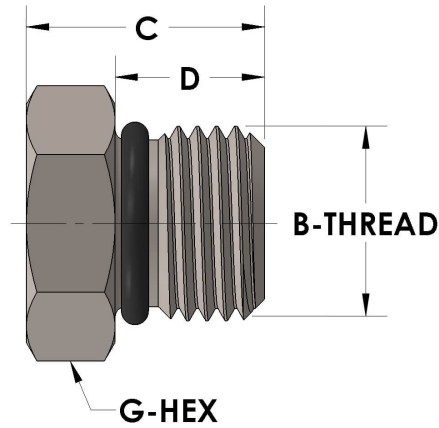


Product Category

H805-20-S

Part Description

Straight Thread Plug



DIMENSIONS

B-THREAD	1.625" - 12UN
C	1.00
D	0.630
G-HEX	1.88

GENERAL

Pressure Rating	6000 PSI
Threadpiece Material	Carbon Steel, ASTM A108
O-Ring Material	Viton® Fluorocarbon Type 1, Class 2 (90 durometer)