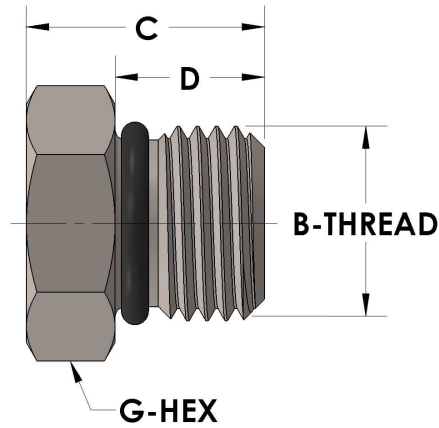


Product Category

H805-24-S

Part Description

Straight Thread Plug



## DIMENSIONS

<b>B-THREAD</b>	1.875" - 12UN
<b>C</b>	1.00
<b>D</b>	0.630
<b>G-HEX</b>	2.13

## GENERAL

<b>Pressure Rating</b>	6000 PSI
<b>Threadpiece Material</b>	Carbon Steel, ASTM A108
<b>O-Ring Material</b>	Viton® Fluorocarbon Type 1, Class 2 (90 durometer)