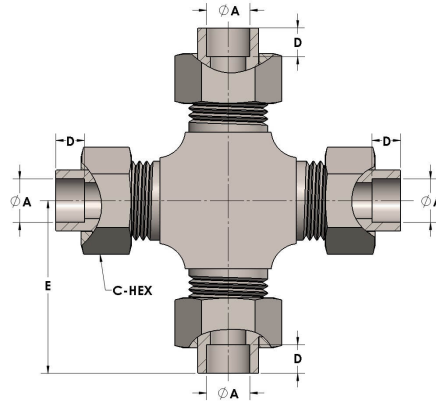


Product Category

H809-08-M

Part Description

Socketweld/braze Tube Cross Assembly



## DIMENSIONS

A	0.500
C-HEX	0.94
D	0.310
E	1.69



## GENERAL

<b>Pressure Rating</b>	6000 PSI
<b>Tailpiece Material</b>	Monel®, ASTM B164, UNS N04405
<b>Threadpiece Material</b>	Monel®, ASTM B564, UNS N04400
<b>O-Ring Material</b>	Viton® Fluorocarbon Type 1, Class 2 (90 durometer)
<b>Connection 1 Type</b>	Female Tube Socket
<b>Connection 1 Size</b>	1/2" Tube O.D. (-08)
<b>Connection 2 Type</b>	Female Tube Socket
<b>Connection 2 Size</b>	1/2" Tube O.D. (-08)
<b>Connection 3 Type</b>	Female Tube Socket
<b>Connection 3 Size</b>	1/2" Tube O.D. (-08)
<b>Connection 4 Type</b>	Female Tube Socket
<b>Connection 4 Size</b>	1/2" Tube O.D. (-08)