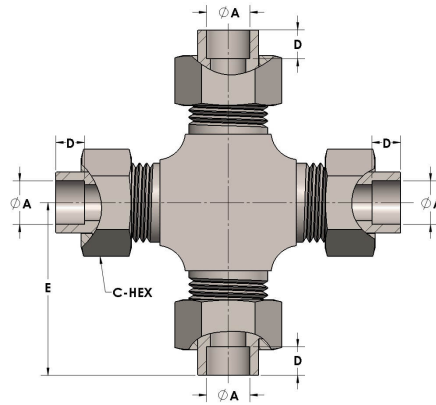


Product Category

H809-16-S

Part Description

Socketweld/braze Tube Cross Assembly



DIMENSIONS

A	1.000
C-HEX	1.63
D	0.500
E	2.75

GENERAL

Pressure Rating	3000 PSI
Assembly Material	Carbon Steel, ASTM A108
O-Ring Material	Viton® Fluorocarbon Type 1, Class 2 (90 durometer)
Connection 1 Type	Female Tube Socket
Connection 1 Size	1" Tube O.D. (-16)
Connection 2 Type	Female Tube Socket
Connection 2 Size	1" Tube O.D. (-16)
Connection 3 Type	Female Tube Socket
Connection 3 Size	1" Tube O.D. (-16)
Connection 4 Type	Female Tube Socket
Connection 4 Size	1" Tube O.D. (-16)