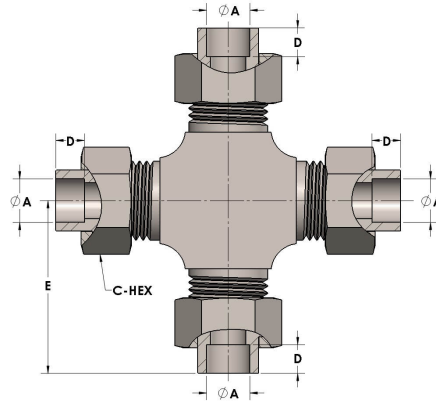


Product Category

H809-20-SS316L

Part Description

Socketweld/braze Tube Cross Assembly



## DIMENSIONS

A	1.250
C-HEX	2
D	0.560
E	3.06

## GENERAL

Pressure Rating	3000 PSI
Assembly Material	316/L Stainless Steel, ASTM A276, UNS S31600/03
O-Ring Material	Viton® Fluorocarbon Type 1, Class 2 (90 durometer)
Connection 1 Type	Female Tube Socket
Connection 1 Size	1.25" Tube O.D. (-20)
Connection 2 Type	Female Tube Socket
Connection 2 Size	1.25" Tube O.D. (-20)
Connection 3 Type	Female Tube Socket
Connection 3 Size	1.25" Tube O.D. (-20)
Connection 4 Type	Female Tube Socket
Connection 4 Size	1.25" Tube O.D. (-20)