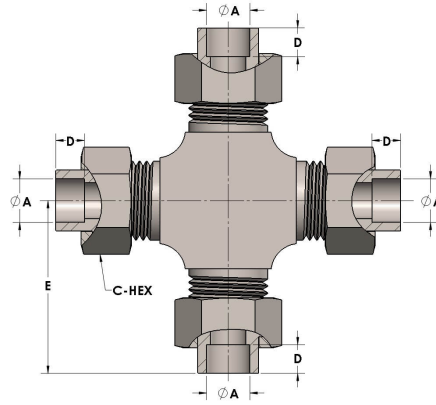


Product Category

H809-24-M

Part Description

Socketweld/braze Tube Cross Assembly



## DIMENSIONS

A	1.500
C-HEX	2.38
D	0.630
E	3.31



## GENERAL

<b>Pressure Rating</b>	4500 PSI
<b>Tailpiece Material</b>	Monel®, ASTM B164, UNS N04405
<b>Threadpiece Material</b>	Monel®, ASTM B564, UNS N04400
<b>O-Ring Material</b>	Viton® Fluorocarbon Type 1, Class 2 (90 durometer)
<b>Connection 1 Type</b>	Female Tube Socket
<b>Connection 1 Size</b>	1.50" Tube O.D. (-24)
<b>Connection 2 Type</b>	Female Tube Socket
<b>Connection 2 Size</b>	1.50" Tube O.D. (-24)
<b>Connection 3 Type</b>	Female Tube Socket
<b>Connection 3 Size</b>	1.50" Tube O.D. (-24)
<b>Connection 4 Type</b>	Female Tube Socket
<b>Connection 4 Size</b>	1.50" Tube O.D. (-24)