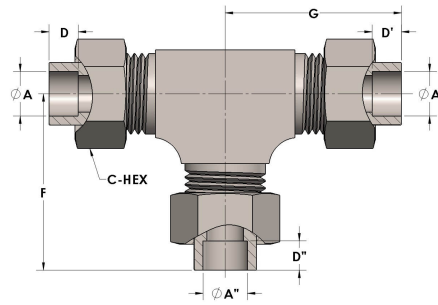


Product Category

H810-06-06-04-SS316L

Part Description

Socketweld/braze Tube Tee Assembly



DIMENSIONS

A	0.380
A'	0.380
A''	0.250
C-HEX	0.81
D	0.250
D'	0.250
D''	0.190
F	1.50
G	1.5



GENERAL

Pressure Rating	6000 PSI
Assembly Material	316/L Stainless Steel, ASTM A276, UNS S31600/03
O-Ring Material	Viton® Fluorocarbon Type 1, Class 2 (90 durometer)
Connection 1 Type	Female Tube Socket
Connection 1 Size	3/8" Tube O.D. (-06)
Connection 2 Type	Female Tube Socket
Connection 2 Size	3/8" Tube O.D. (-06)
Connection 3 Type	Female Tube Socket
Connection 3 Size	1/4" Tube O.D. (-04)