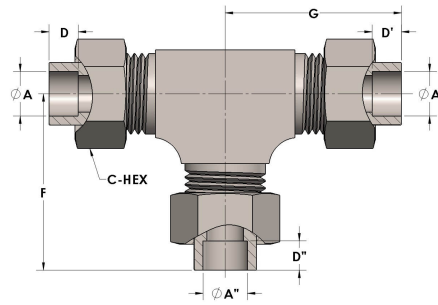


Product Category

H810-08-M

Part Description

Socketweld/braze Tube Tee Assembly



DIMENSIONS

A	0.500
A'	0.500
A''	0.500
C-HEX	0.94
D	0.310
D'	0.310
D''	0.310
F	1.69
G	1.69



GENERAL

Pressure Rating	6000 PSI
Tailpiece Material	Monel®, ASTM B164, UNS N04405
Threadpiece Material	Monel®, ASTM B564, UNS N04400
O-Ring Material	Viton® Fluorocarbon Type 1, Class 2 (90 durometer)
Connection 1 Type	Female Tube Socket
Connection 1 Size	1/2" Tube O.D. (-08)
Connection 2 Type	Female Tube Socket
Connection 2 Size	1/2" Tube O.D. (-08)
Connection 3 Type	Female Tube Socket
Connection 3 Size	1/2" Tube O.D. (-08)