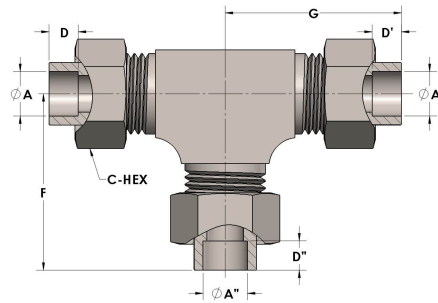


Product Category

H810-12-12-10-M

Part Description

Socketweld/braze Tube Tee Assembly



DIMENSIONS

| | |
|-------|-------|
| A | 0.750 |
| A' | 0.750 |
| A'' | 0.630 |
| C-HEX | 1.38 |
| D | 0.440 |
| D' | 0.440 |
| D'' | 0.380 |
| F | 2.25 |
| G | 2.25 |



GENERAL

| | |
|-----------------------------|--|
| Pressure Rating | 6000 PSI |
| Tailpiece Material | Monel®, ASTM B164, UNS N04405 |
| Threadpiece Material | Monel®, ASTM B564, UNS N04400 |
| O-Ring Material | Viton® Fluorocarbon Type 1, Class 2 (90 durometer) |
| Connection 1 Type | Female Tube Socket |
| Connection 1 Size | 3/4" Tube O.D. (-12) |
| Connection 2 Type | Female Tube Socket |
| Connection 2 Size | 3/4" Tube O.D. (-12) |
| Connection 3 Type | Female Tube Socket |
| Connection 3 Size | 5/8" Tube O.D. (-10) |