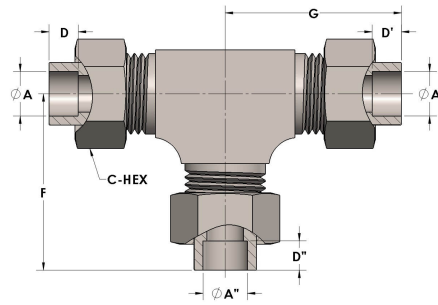


Product Category

Part Description

H810-12-12-10-SS316L

Socketweld/braze Tube Tee Assembly



## DIMENSIONS

A	0.750
A'	0.750
A''	0.630
C-HEX	1.38
D	0.440
D'	0.440
D''	0.380
F	2.25
G	2.25



## GENERAL

<b>Pressure Rating</b>	4500 PSI
<b>Assembly Material</b>	316/L Stainless Steel, ASTM A276, UNS S31600/03
<b>O-Ring Material</b>	Viton® Fluorocarbon Type 1, Class 2 (90 durometer)
<b>Connection 1 Type</b>	Female Tube Socket
<b>Connection 1 Size</b>	3/4" Tube O.D. (-12)
<b>Connection 2 Type</b>	Female Tube Socket
<b>Connection 2 Size</b>	3/4" Tube O.D. (-12)
<b>Connection 3 Type</b>	Female Tube Socket
<b>Connection 3 Size</b>	5/8" Tube O.D. (-10)