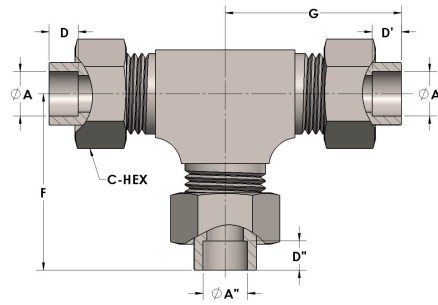


Product Category

H810-16-16-12-S

Part Description

Socketweld/braze Tube Tee Assembly



## DIMENSIONS

A	1.000
A'	1.000
A''	0.750
C-HEX	1.63
D	0.500
D'	0.500
D''	0.440
F	2.75
G	2.75



## GENERAL

<b>Pressure Rating</b>	3000 PSI
<b>Assembly Material</b>	Carbon Steel, ASTM A108
<b>O-Ring Material</b>	Viton® Fluorocarbon Type 1, Class 2 (90 durometer)
<b>Connection 1 Type</b>	Female Tube Socket
<b>Connection 1 Size</b>	1" Tube O.D. (-16)
<b>Connection 2 Type</b>	Female Tube Socket
<b>Connection 2 Size</b>	1" Tube O.D. (-16)
<b>Connection 3 Type</b>	Female Tube Socket
<b>Connection 3 Size</b>	3/4" Tube O.D. (-12)