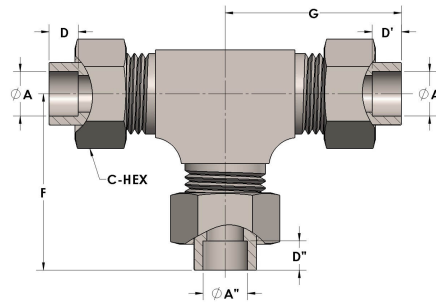


Product Category

H810-16-M

Part Description

Socketweld/braze Tube Tee Assembly



DIMENSIONS

A	1.000
A'	1.000
A''	1.000
C-HEX	1.63
D	0.500
D'	0.500
D''	0.500
F	2.75
G	2.75



GENERAL

Pressure Rating	6000 PSI
Tailpiece Material	Monel®, ASTM B164, UNS N04405
Threadpiece Material	Monel®, ASTM B564, UNS N04400
O-Ring Material	Viton® Fluorocarbon Type 1, Class 2 (90 durometer)
Connection 1 Type	Female Tube Socket
Connection 1 Size	1" Tube O.D. (-16)
Connection 2 Type	Female Tube Socket
Connection 2 Size	1" Tube O.D. (-16)
Connection 3 Type	Female Tube Socket
Connection 3 Size	1" Tube O.D. (-16)