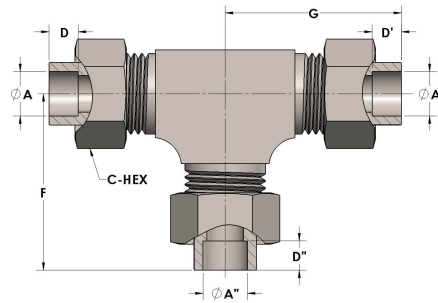


Product Category

H810-24-24-20-S

Part Description

Socketweld/braze Tube Tee Assembly



## DIMENSIONS

A	1.500
A'	1.500
A''	1.250
C-HEX	2.38
D	0.630
D'	0.630
D''	0.560
F	3.31
G	3.31



## GENERAL

<b>Pressure Rating</b>	3000 PSI
<b>Assembly Material</b>	Carbon Steel, ASTM A108
<b>O-Ring Material</b>	Viton® Fluorocarbon Type 1, Class 2 (90 durometer)
<b>Connection 1 Type</b>	Female Tube Socket
<b>Connection 1 Size</b>	1.50" Tube O.D. (-24)
<b>Connection 2 Type</b>	Female Tube Socket
<b>Connection 2 Size</b>	1.50" Tube O.D. (-24)
<b>Connection 3 Type</b>	Female Tube Socket
<b>Connection 3 Size</b>	1.25" Tube O.D. (-24)