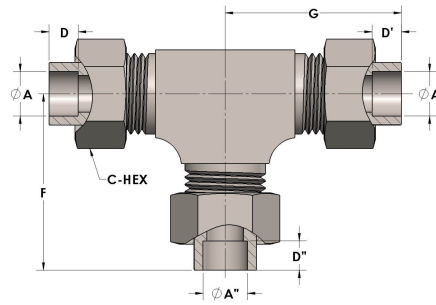


Product Category

H810-24-SS316L

Part Description

Socketweld/braze Tube Tee Assembly



DIMENSIONS

A	1.500
A'	1.500
A''	1.500
C-HEX	2.38
D	0.630
D'	0.630
D''	0.630
F	3.31
G	3.31



GENERAL

Pressure Rating	3000 PSI
Assembly Material	316/L Stainless Steel, ASTM A276, UNS S31600/03
O-Ring Material	Viton® Fluorocarbon Type 1, Class 2 (90 durometer)
Connection 1 Type	Female Tube Socket
Connection 1 Size	1.50" Tube O.D. (-24)
Connection 2 Type	Female Tube Socket
Connection 2 Size	1.50" Tube O.D. (-24)
Connection 3 Type	Female Tube Socket
Connection 3 Size	1.50" Tube O.D. (-24)