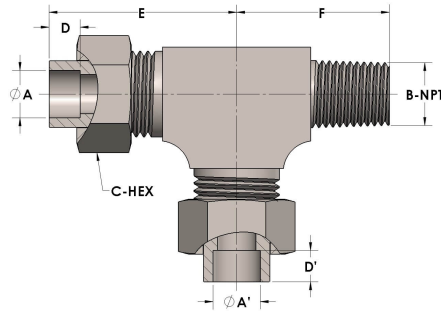


Product Category

H812-08-06-08-M

Part Description

Tube to Male Pipe Thread Run Tee Assembly



DIMENSIONS

| | |
|-------|-----------|
| A | 0.500 |
| A' | 0.500 |
| B-NPT | 3/8" - 18 |
| C-HEX | 0.94 |
| D | 0.310 |
| D' | 0.310 |
| E | 1.69 |
| F | 1.19 |

GENERAL

| | |
|----------------------|--|
| Pressure Rating | 4500 PSI |
| Tailpiece Material | Monel®, ASTM B164, UNS N04405 |
| Threadpiece Material | Monel®, ASTM B564, UNS N04400 |
| O-Ring Material | Viton® Fluorocarbon Type 1, Class 2 (90 durometer) |
| Connection 1 Type | Female Tube Socket |
| Connection 1 Size | 1/2" Tube O.D. (-08) |
| Connection 3 Type | Female Tube Socket |
| Connection 3 Size | 1/2" Tube O.D. (-08) |