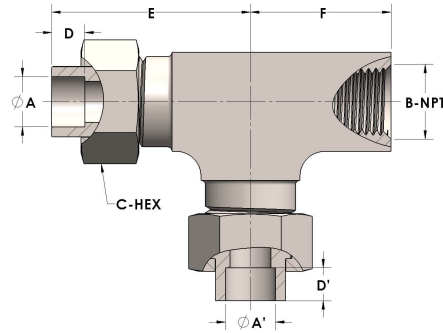


Product Category

H814-08-06-08-M

Part Description

Tube to Female Pipe Thread Run Tee Assembly



## DIMENSIONS

A	0.500
A'	0.500
B-NPT	3/8" - 18
C-HEX	0.94
D	0.310
D'	0.310
E	1.69
F	1.19

## GENERAL

Pressure Rating	3000 PSI
Tailpiece Material	Monel®, ASTM B164, UNS N04405
Threadpiece Material	Monel®, ASTM B564, UNS N04400
O-Ring Material	Viton® Fluorocarbon Type 1, Class 2 (90 durometer)
Connection 1 Type	Female Tube Socket
Connection 1 Size	1/2" Tube O.D. (-08)
Connection 3 Type	Female Tube Socket
Connection 3 Size	1/2" Tube O.D. (-08)