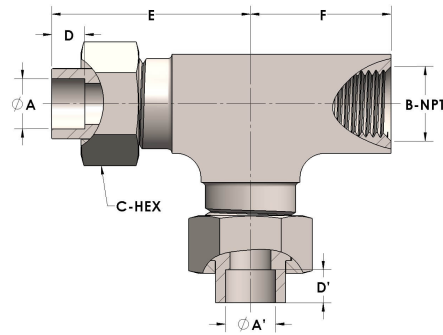


Product Category

H814-16-16-16-SS316L

Part Description

Tube to Female Pipe Thread Run Tee Assembly



## DIMENSIONS

A	1.000
A'	1.000
B-NPT	1.000" - 11.5
C-HEX	1.63
D	0.500
D'	0.500
E	3.00
F	1.94

## GENERAL

Pressure Rating	4500 PSI
Assembly Material	316/L Stainless Steel, ASTM A276, UNS S31600/03
O-Ring Material	Viton® Fluorocarbon Type 1, Class 2 (90 durometer)
Connection 1 Type	Female Tube Socket
Connection 1 Size	1" Tube O.D. (-16)
Connection 3 Type	Female Tube Socket
Connection 3 Size	1" Tube O.D. (-16)