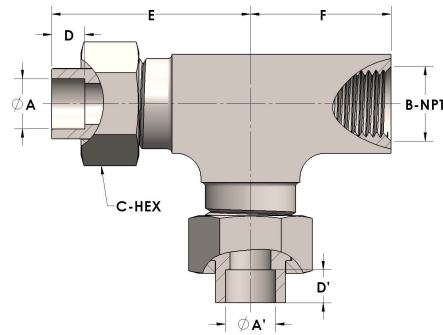


Product Category

H814-20-16-20-M

Part Description

Tube to Female Pipe Thread Run Tee Assembly



## DIMENSIONS

A	1.250
A'	1.250
B-NPT	1.000" - 11.5
C-HEX	2
D	0.560
D'	0.560
E	3.06
F	2.19

## GENERAL

Pressure Rating	4500 PSI
Tailpiece Material	Monel®, ASTM B164, UNS N04405
Threadpiece Material	Monel®, ASTM B564, UNS N04400
O-Ring Material	Viton® Fluorocarbon Type 1, Class 2 (90 durometer)
Connection 1 Type	Female Tube Socket
Connection 1 Size	1.25" Tube O.D. (-20)
Connection 3 Type	Female Tube Socket
Connection 3 Size	1.25" Tube O.D. (-20)