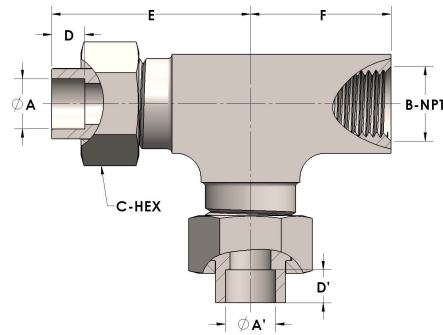


Product Category

H814-24-20-24-SS316L

Part Description

Tube to Female Pipe Thread Run Tee Assembly



DIMENSIONS

A	1.500
A'	1.500
B-NPT	1.250" - 11.5
C-HEX	2.38
D	0.630
D'	0.630
E	3.31
F	2.38

GENERAL

Pressure Rating	3000 PSI
Assembly Material	316/L Stainless Steel, ASTM A276, UNS S31600/03
O-Ring Material	Viton® Fluorocarbon Type 1, Class 2 (90 durometer)
Connection 1 Type	Female Tube Socket
Connection 1 Size	1.50" Tube O.D. (-24)
Connection 3 Type	Female Tube Socket
Connection 3 Size	1.50" Tube O.D. (-24)