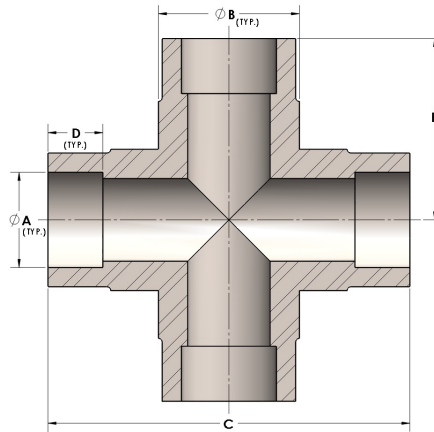


Product Category

H819-04-M

Part Description

Direct Socketweld/Braze Cross (Tube)



DIMENSIONS

A	0.250
B	0.63
C	1.63
D	0.190
E	0.81
F	1.13

GENERAL

Pressure Rating	6000 PSI
Fitting Material	Monel®, ASTM B164, UNS N04405