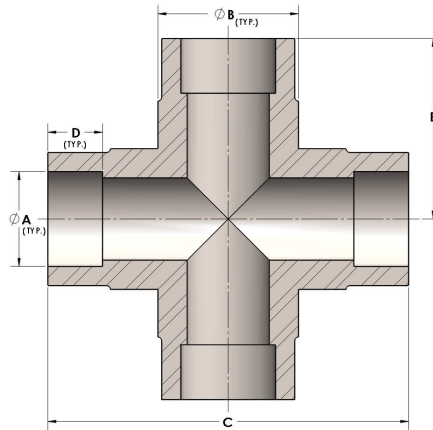


Product Category

H819-12-M

Part Description

Direct Socketweld/Braze Cross (Tube)



## DIMENSIONS

A	0.750
B	1.13
C	2.88
D	0.440
E	1.44
F	2.00

## GENERAL

Pressure Rating	6000 PSI
Fitting Material	Monel®, ASTM B164, UNS N04405