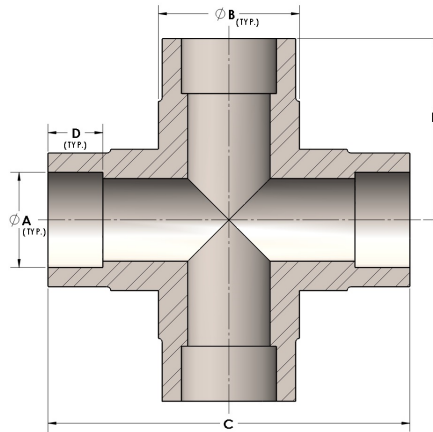


Product Category

H819-16-SS316L

Part Description

Direct Socketweld/Braze Cross (Tube)



DIMENSIONS

A	1.000
B	1.38
C	3.13
D	0.500
E	1.56
F	2.25

GENERAL

Pressure Rating	4500 PSI
Fitting Material	316/L Stainless Steel, ASTM A276, UNS S31600/03