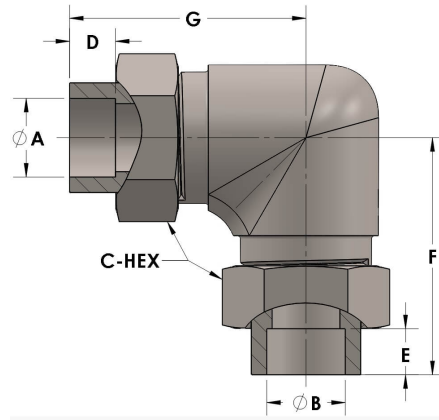


Product Category

H820-04-02-S

Part Description

Socketweld/braze Tube Elbow Assembly



## DIMENSIONS

A	0.250
B	0.13
C-HEX	0.63
D	0.190
E	0.19
F	1.19
G	1.19

## GENERAL

Pressure Rating	6000 PSI
Assembly Material	Carbon Steel, ASTM A108
O-Ring Material	Viton® Fluorocarbon Type 1, Class 2 (90 durometer)
Connection 1 Type	Female Tube Socket
Connection 1 Size	1/4" Tube O.D. (-04)
Connection 2 Type	Female Tube Socket
Connection 2 Size	1/8" Tube O.D. (-02)