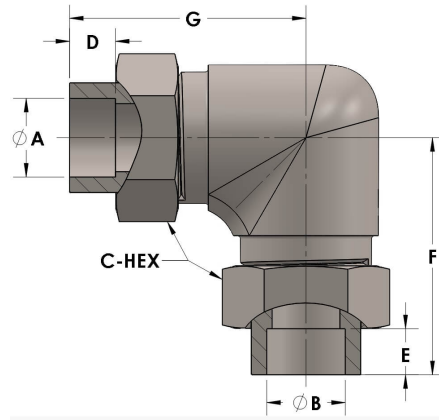


Product Category

H820-06-M

Part Description

Socketweld/braze Tube Elbow Assembly



DIMENSIONS

| | |
|-------|-------|
| A | 0.380 |
| B | 0.38 |
| C-HEX | 0.81 |
| D | 0.250 |
| E | 0.25 |
| F | 1.50 |
| G | 1.5 |

GENERAL

| | |
|----------------------|--|
| Pressure Rating | 6000 PSI |
| Tailpiece Material | Monel®, ASTM B164, UNS N04405 |
| Threadpiece Material | Monel®, ASTM B564, UNS N04400 |
| O-Ring Material | Viton® Fluorocarbon Type 1, Class 2 (90 durometer) |
| Connection 1 Type | Female Tube Socket |
| Connection 1 Size | 3/8" Tube O.D. (-06) |
| Connection 2 Type | Female Tube Socket |
| Connection 2 Size | 3/8" Tube O.D. (-06) |