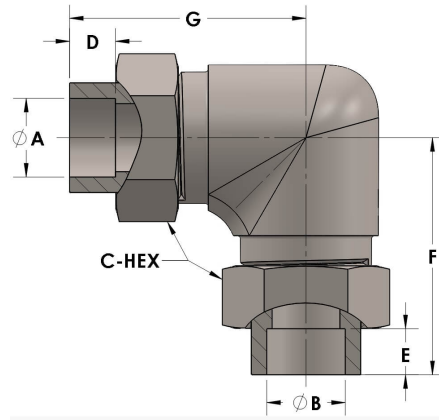


Product Category

H820-16-12-SS316L

Part Description

Socketweld/braze Tube Elbow Assembly



DIMENSIONS

A	1.000
B	0.75
C-HEX	1.63
D	0.500
E	0.44
F	2.69
G	2.75

GENERAL

Pressure Rating	4500 PSI
Assembly Material	316/L Stainless Steel, ASTM A276, UNS S31600/03
O-Ring Material	Viton® Fluorocarbon Type 1, Class 2 (90 durometer)
Connection 1 Type	Female Tube Socket
Connection 1 Size	1" Tube O.D. (-16)
Connection 2 Type	Female Tube Socket
Connection 2 Size	3/4" Tube O.D. (-12)