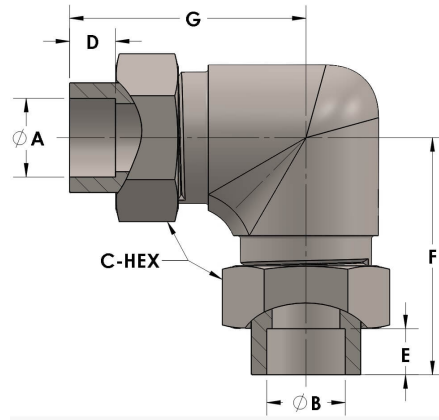


Product Category

H820-20-M

Part Description

Socketweld/braze Tube Elbow Assembly



DIMENSIONS

A	1.250
B	1.25
C-HEX	2
D	0.560
E	0.56
F	3.06
G	3.06

GENERAL

Pressure Rating	4500 PSI
Tailpiece Material	Monel®, ASTM B164, UNS N04405
Threadpiece Material	Monel®, ASTM B564, UNS N04400
O-Ring Material	Viton® Fluorocarbon Type 1, Class 2 (90 durometer)
Connection 1 Type	Female Tube Socket
Connection 1 Size	1.25" Tube O.D. (-20)
Connection 2 Type	Female Tube Socket
Connection 2 Size	1.25" Tube O.D. (-20)