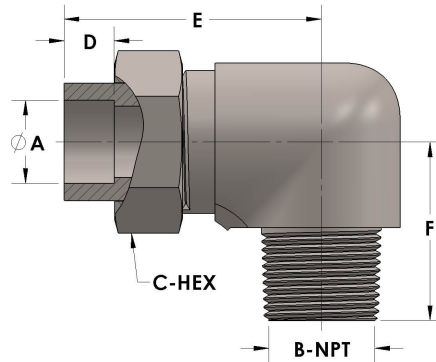


Product Category

H821-12-16-M

Part Description

Tube to Male Pipe Thread Elbow Assembly



DIMENSIONS

A	0.750
B-NPT	1.000" - 11.5
C-HEX	1.63
D	0.440
E	2.69
F	1.94

GENERAL

Pressure Rating	3000 PSI
Tailpiece Material	Monel®, ASTM B164, UNS N04405
Threadpiece Material	Monel®, ASTM B564, UNS N04400
O-Ring Material	Viton® Fluorocarbon Type 1, Class 2 (90 durometer)
Connection 1 Type	Female Tube Socket
Connection 1 Size	3/4" Tube O.D. (-12)
Connection 2 Type	Male Pipe Thread
Connection 2 Size	1" NPT (-16)