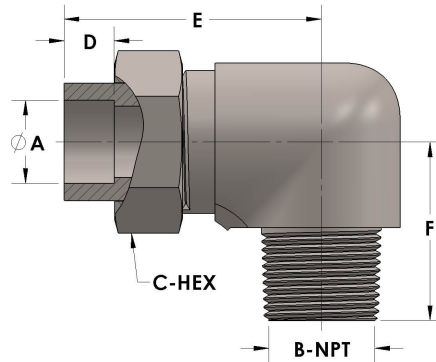


Product Category

H821-32-32-M

Part Description

Tube to Male Pipe Thread Elbow Assembly



## DIMENSIONS

A	2.000
B-NPT	2.500" - 8
C-HEX	3.25
D	0.880
E	3.31
F	2.69

## GENERAL

Pressure Rating	4500 PSI
Tailpiece Material	Monel®, ASTM B164, UNS N04405
Threadpiece Material	Monel®, ASTM B564, UNS N04400
O-Ring Material	Viton® Fluorocarbon Type 1, Class 2 (90 durometer)
Connection 1 Type	Female Tube Socket
Connection 1 Size	2.00" Tube O.D. (-32)
Connection 2 Type	Male Pipe Thread
Connection 2 Size	2.50" NPT (-32)