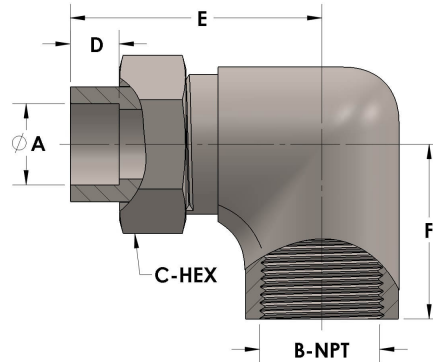


Product Category

H822-04-02-SS316L

Part Description

Tube to Female Pipe Thread Elbow Assembly



## DIMENSIONS

A	0.250
B-NPT	1/8" - 27
C-HEX	0.63
D	0.190
E	1.19
F	0.81

## GENERAL

Pressure Rating	6000 PSI
Assembly Material	Carbon Steel, ASTM A36/311, UNS K02600/G10180
O-Ring Material	Viton® Fluorocarbon Type 1, Class 2 (90 durometer)
Connection 1 Type	Female Tube Socket
Connection 1 Size	1/4" Tube O.D. (-04)
Connection 2 Type	Female Pipe Thread
Connection 2 Size	1/8" NPT (-02)