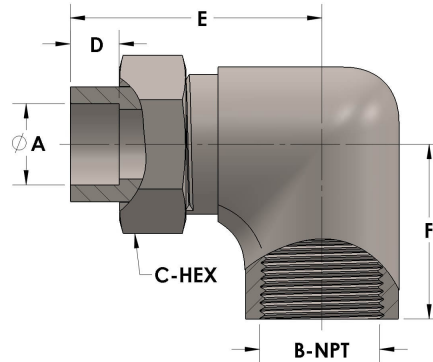


Product Category

H822-04-04-M

Part Description

Tube to Female Pipe Thread Elbow Assembly



DIMENSIONS

A	0.250
B-NPT	1/4" - 18
C-HEX	0.81
D	0.190
E	1.44
F	1.06

GENERAL

Pressure Rating	4500 PSI
Tailpiece Material	Monel®, ASTM B164, UNS N04405
Threadpiece Material	Monel®, ASTM B564, UNS N04400
O-Ring Material	Viton® Fluorocarbon Type 1, Class 2 (90 durometer)
Connection 1 Type	Female Tube Socket
Connection 1 Size	1/4" Tube O.D. (-04)
Connection 2 Type	Female Pipe Thread
Connection 2 Size	1/4" NPT (-04)