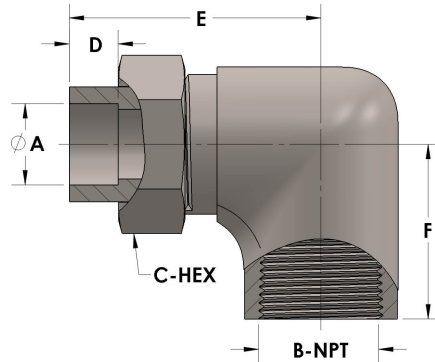


Product Category

H822-04-04-S

Part Description

Tube to Female Pipe Thread Elbow Assembly



## DIMENSIONS

|       |           |
|-------|-----------|
| A     | 0.250     |
| B-NPT | 1/4" - 18 |
| C-HEX | 0.81      |
| D     | 0.190     |
| E     | 1.44      |
| F     | 1.06      |

## GENERAL

|                   |  |
|-------------------|--|
| Pressure Rating   | 6000 PSI   |
| Assembly Material | Carbon Steel, ASTM A108                            |
| O-Ring Material   | Viton® Fluorocarbon Type 1, Class 2 (90 durometer) |
| Connection 1 Type | Female Tube Socket                                 |
| Connection 1 Size | 1/4" Tube O.D. (-04)                               |
| Connection 2 Type | Female Pipe Thread                                 |
| Connection 2 Size | 1/4" NPT (-04)                                     |