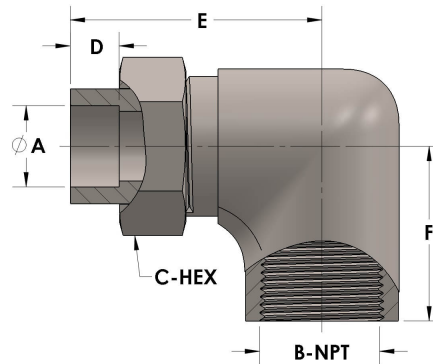


Product Category

H822-06-08-SS316L

Part Description

Tube to Female Pipe Thread Elbow Assembly



DIMENSIONS

| | |
|-------|-----------|
| A | 0.380 |
| B-NPT | 1/2" - 14 |
| C-HEX | 0.94 |
| D | 0.250 |
| E | 1.94 |
| F | 1.44 |

GENERAL

| | |
|-------------------|--|
| Pressure Rating | 4500 PSI |
| Assembly Material | 316/L Stainless Steel, ASTM A276, UNS S31600/03 |
| O-Ring Material | Viton® Fluorocarbon Type 1, Class 2 (90 durometer) |
| Connection 1 Type | Female Tube Socket |
| Connection 1 Size | 3/8" Tube O.D. (-06) |
| Connection 2 Type | Female Pipe Thread |
| Connection 2 Size | 1/2" NPT (-08) |