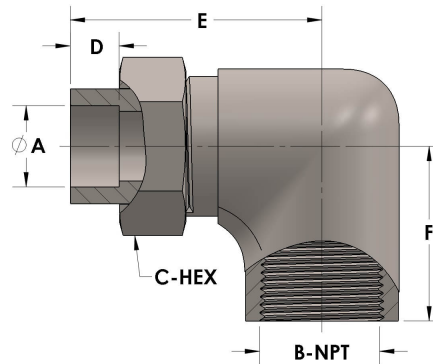


Product Category

H822-12-12-M

Part Description

Tube to Female Pipe Thread Elbow Assembly



DIMENSIONS

A	1.000
B-NPT	3/4" - 14
C-HEX	2
D	0.500
E	2.75
F	1.94

GENERAL

Pressure Rating	6000 PSI
Tailpiece Material	Monel®, ASTM B164, UNS N04405
Threadpiece Material	Monel®, ASTM B564, UNS N04400
O-Ring Material	Viton® Fluorocarbon Type 1, Class 2 (90 durometer)
Connection 1 Type	Female Tube Socket
Connection 1 Size	1" Tube O.D. (-16)
Connection 2 Type	Female Pipe Thread
Connection 2 Size	3/4" NPT (-12)